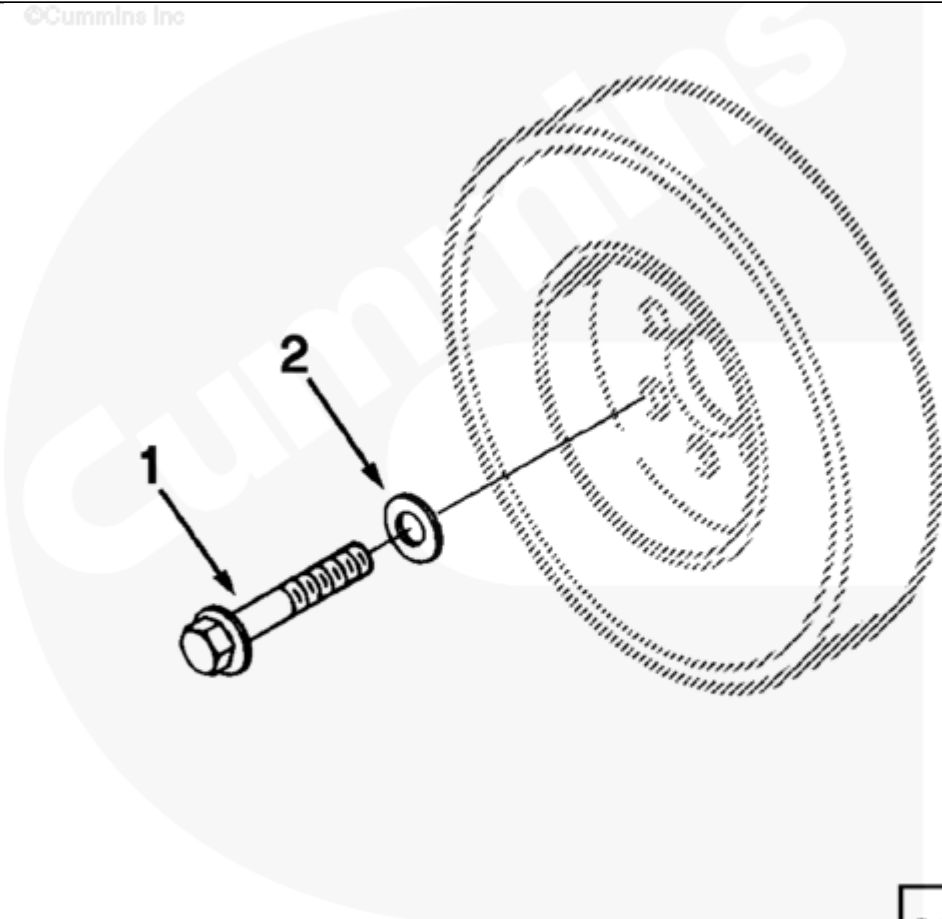




# Parts Catalog - Option Detail

Electronic Parts Catalog - Option Detail				
Option	Group	Graphic	Film Card	Date
EM1707	01.09	em100gk	F	15-AUG-95
<b>Engines</b>	NH/NT 855, NT495, NT743, NTA855 N106			

©Cummins Inc



em100gk

[SMALL](#) | [MEDIUM](#) | [LARGE](#)

Cart	Ref No	Part Number	Part Description	Required	Remarks
<a href="#">View My Cart</a>					
		<a href="#">EM1707</a>	Engine Mounting		
					Engine Mounting
					Mounting parts for vibration
					damper for pad mount front

					engine support. Less front
					power take-off.
<input type="checkbox"/>	1	<a href="#">204165</a>	Head Locking Screw	6	5/8 - 18 x 1 5/8 inch
<input type="checkbox"/>	2	<a href="#">127316</a>	Plain Washer	6	5/8 in.

© 2019 Cummins Inc., Box 3005, Columbus, IN 47202-3005 U.S.A.  
Terms of Use and Disclaimers | Recommended System Requirements  
Need Assistance? Please click on the Contact Us button in the top right corner of any page.